

INFILL OPTIMIZER

a feature available in

COGNITIVE
ADDITIVE

Optimize parts with Smart Infill Structures

also available in:

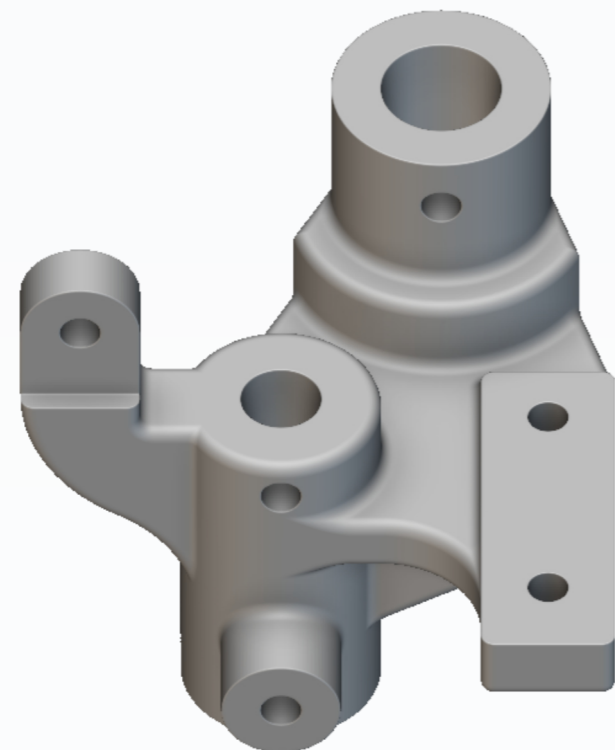
GRABCAD



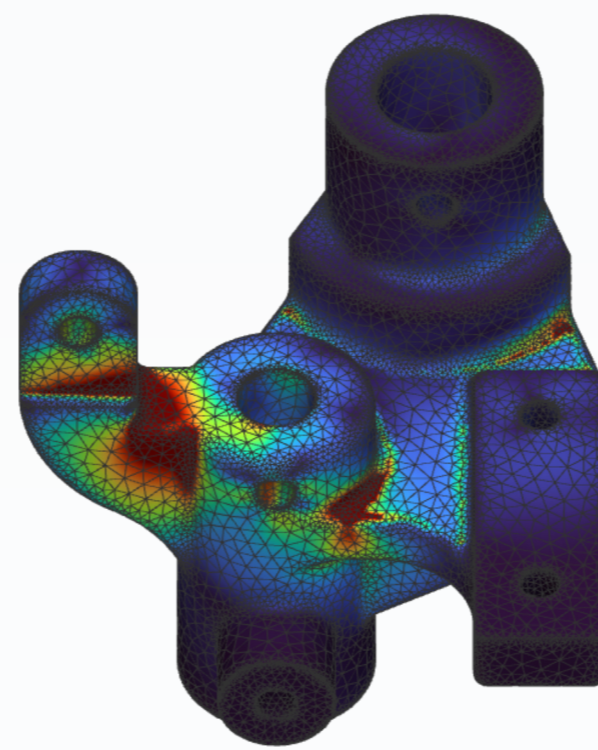
ELISE



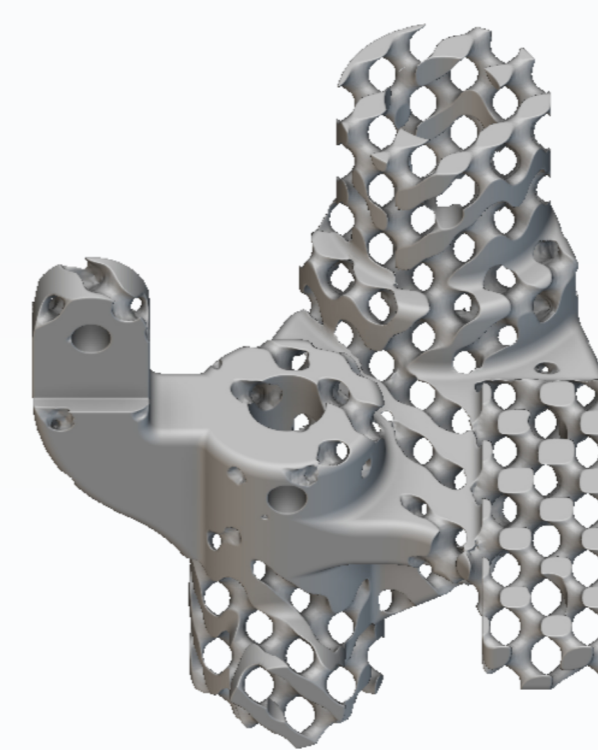
original part



von mises stress map

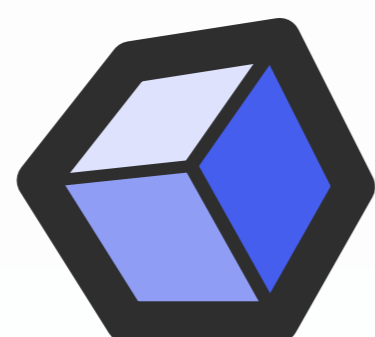


results

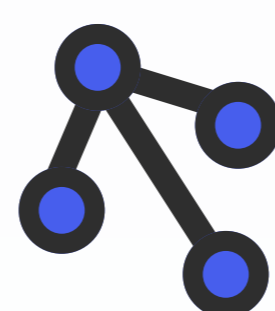


Infills are based on a database of 4000+ various meta materials

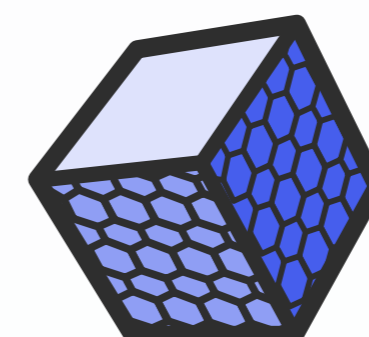
A unique automated solution for infill based on:



wall
thickness



static
analysis



topology
optimization